

Rugged, EMI Filtered, DC to DC Converter



Product Highlights:

- Low Profile, Compact Size
- 200KHz Fixed Frequency Operation
- On/Off Logic Control (Inhibit)
- Remote Sense compensates up to 0.5V
- Low Output Peak-Peak Noise Filter
- Mil-Std-461E Input EMI Filter
- Mil-Std-810 Environments
- Mil-Std-704A, Mil-Std-1275A (100V for 50mS),
- Over-Temperature Shutdown
- -40°C to +85°C std; -T suffix -55°C to 85°C

General Specifications						
	LC28-3.3	LC28-5	LC28-12	LC28-15	LC28-24	LC28-28
Input Voltage	18-36VDC	18-36VDC	18-36VDC	18-36VDC	18-36VDC	18-36VDC
Output Voltage	3.3VDC	5.0	12.0	15.0	24.0	28.0
Output Current	10A	10A	6.25	5A	3.13A	2.67A
Output Power	33W	50W	75W	75W	75W	75W

Electrical Specifications						
	LC28-3.3	LC28-5	LC28-12	LC28-15	LC28-24	LC28-28
Line Regulation	10mV	10mV	20mV	20mV	30mV	30mV
Load Reg. (1/2-FL, w/ sense)	10mV	10mV	10mV	10mV	10mV	10mV
PARD(Ripple/Noise) DC- 20MHz	20mV	20mV	30mV	30mV	50mV	50mV
Overcurrent Setpoint	10.5-12.0A	10.5-12.0A	6.75A-7.8A	5.5A-7A	3.4A-4.3A	3.1A-4.1A
Short Circuit Current	8A – 12A	6A –12 A	4A -7A	3A-6A	2A-3.5A	1.5A–3A
Overvoltage Set	3.7V-4.1V	5.6V-6.3V	13.8V-15.0V	17.5V-18.8V	27.6V-30V	32.3V-35V
Load Step Recovery (1/2 to FL)	100uS	100uS	100uS	100uS	100uS	100uS
Turn-on Overshoot	<5%	<5%	<5%	<5%	<5%	<5%
Efficiency (min)	65%	76%	80%	81%	82%	82%
Isolation	200VDC, Input to Output and Input to Case – 100VDC Output to Case					
EMI Filtering	Mil-Std-461E, CE101 and CE102 on the input					
Size	0.72"H x 1.83"W x 3.25"L					

Temperature Specifications	
Operating Baseplate Temperature	-40°C to +85°C (For -55C, add "T" suffix to part number)
Storage Temperature	-55°C to +100°C
Temperature Coefficient	0.02%/°C

Note: Other output voltages and Environmental Screening also available. Please consult factory for details.



Arnold Magnetics Corporation, 841 Avenida Acaso, Camarillo, Ca 93012
 Phone: 805/484-4221 Fax: 805/484-4113 Website: www.amcpower.com

Note: Specifications subject to change without notice.

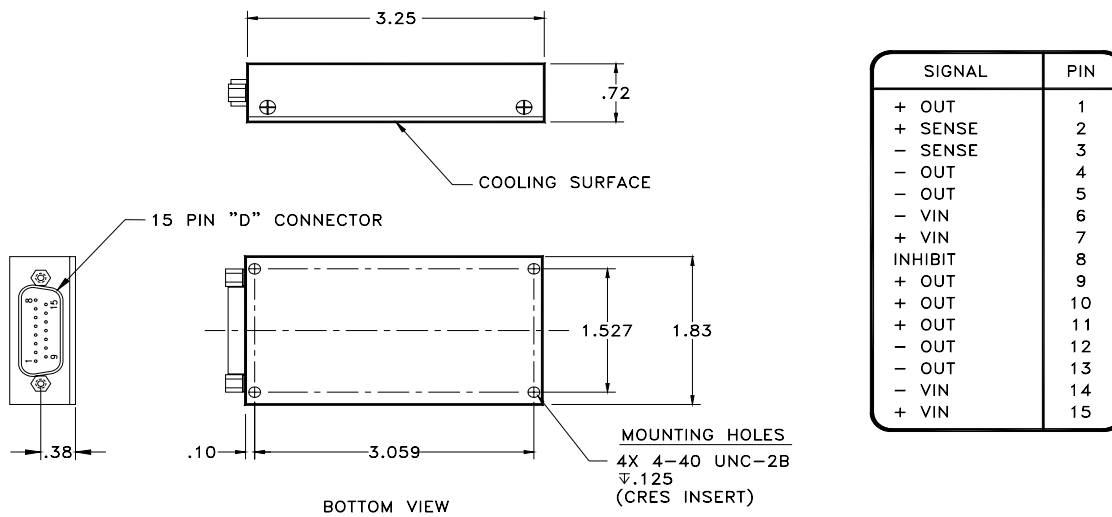
Last Update: 09/07/06

LC Series

Environmental Specifications	
Pressure-Altitude	Per MIL-STD-810F, Method 500.4, Procedure I and II
High Temperature	Per MIL-STD-810F, Method 501.4, Procedure I and II
Low Temperature	Per MIL-STD-810F, Method 502.4, Procedure I
Humidity	Per MIL-STD-810F, Method 507.4, Procedure I
Fungus	Per Mil-Std-810F, Method 508.5, Procedure I
Salt Fog	Per Mil-Std-810F, Method 509.4, Procedure I
Sand and Dust	Per Mil-Std-810F, Method 510.4, Procedure I and II
Explosive Atmosphere	Per Mil-Std-810F, Method 511.4, Procedure I
Acceleration	Per MIL-STD-810F, Method 513.5, Procedure I and II
Vibration	Per MIL-STD-810F, Method 514.5, Procedure I, Category 1, 4, 7 thru 14 and 16 thru 21
Shock	Per MIL-STD-810F, Method 516.5, Procedure I, IV

Physical Characteristics	
Maximum Case Size	0.72"H x 1.83"W x 3.25"L (Excludes connector mounting)
Cooling Method	Conduction cooled through baseplate
Encapsulation	Clear RTV, GE615
Enclosure Finish	Black Anodized per Mil-Std-8625A, Type II, Class 2
Baseplate Finish	Gold Iridite Mil-C-5541E, Class 1A
Input/Output Termination	15 Pin D-Sub Connector (See Pin-out Table below)
Baseplate mounting – Standard Thru-hole mounting – Add "U" suffix to part number	4-40 Threaded Holes (4 places) x 0.125" deep 4-40 Thru-hole
Weight	5 oz., maximum

Outline and Mounting:



Arnold Magnetics Corporation, 841 Avenida Acaso, Camarillo, Ca 93012
 Phone: 805/484-4221 Fax: 805/484-4113 Website: www.amcpower.com

Note: Specifications subject to change without notice.

Last Update: 09/07/06